



CALL NO. 346

CONTRACT ID. 192916

MASON COUNTY

FED/STATE PROJECT NUMBER FE02 081 0062 B00041N

DESCRIPTION SIMON KENTON BRIDGE (US-62X) OVER OHIO RIVER (MP 17.827).

WORK TYPE BRIDGE REPAIRS

PRIMARY COMPLETION DATE 4/15/2020

LETTING DATE: October 25,2019

Sealed Bids will be received electronically through the Bid Express bidding service until 10:00 AM EASTERN DAYLIGHT TIME October 25,2019. Bids will be publicly announced at 10:00 AM EASTERN DAYLIGHT TIME.

NO PLANS ASSOCIATED WITH THIS PROJECT.

REQUIRED BID PROPOSAL GUARANTY: Not less than 5% of the total bid.

TABLE OF CONTENTS

PART I	SCOPE OF WORK
	<ul style="list-style-type: none">• PROJECT(S), COMPLETION DATE(S), & LIQUIDATED DAMAGES• CONTRACT NOTES• STATE CONTRACT NOTES• SPECIAL NOTE(S) APPLICABLE TO PROJECT• LIQUIDATED DAMAGES• TRAFFIC CONTROL PLAN• SKETCH MAP(S)• BRIDGE DRAWINGS
PART II	SPECIFICATIONS AND STANDARD DRAWINGS
	<ul style="list-style-type: none">• SPECIFICATIONS REFERENCE• SUPPLEMENTAL SPECIFICATION
PART III	EMPLOYMENT, WAGE AND RECORD REQUIREMENTS
	<ul style="list-style-type: none">• LABOR AND WAGE REQUIREMENTS• EXECUTIVE BRANCH CODE OF ETHICS• KENTUCKY EQUAL EMPLOYMENT OPPORTUNITY ACT OF 1978 LOCALITY / STATE• PROJECT WAGE RATES / STATE FUNDED
PART IV	INSURANCE
PART V	BID ITEMS

PART I
SCOPE OF WORK

ADMINISTRATIVE DISTRICT - 09

CONTRACT ID - 192916

FE02 081 0062 B00041N

COUNTY - MASON

PCN - MB08100621901

FE02 081 0062 B00041N

SIMON KENTON BRIDGE (US-62X) OVER OHIO RIVER (MP17.8270) BRIDGE OVER OHIO RIVER.BRIDGE
REPAIRS

GEOGRAPHIC COORDINATES LATITUDE 38:39:00.00 LONGITUDE 83:45:35.00

COMPLETION DATE(S):

COMPLETED BY 04/15/2020

APPLIES TO ENTIRE CONTRACT

30 CALENDAR Days

APPLIES TO 081B00041N

CONTRACT NOTES

PROPOSAL ADDENDA

All addenda to this proposal must be applied when calculating bid and certified in the bid packet submitted to the Kentucky Department of Highways. Failure to use the correct and most recent addenda may result in the bid being rejected.

BID SUBMITTAL

Bidder must use the Department's electronic bidding software. The Bidder must download the bid file located on the Bid Express website (www.bidx.com) to prepare a bid packet for submission to the Department. The bidder must submit electronically using Bid Express.

JOINT VENTURE BIDDING

Joint venture bidding is permissible. All companies in the joint venture must be prequalified in one of the work types in the Qualifications for Bidders for the project. The bidders must get a vendor ID for the joint venture from the Division of Construction Procurement and register the joint venture as a bidder on the project. Also, the joint venture must obtain a digital ID from Bid Express to submit a bid. A joint bid bond of 5% may be submitted for both companies or each company may submit a separate bond of 5%.

UNDERGROUND FACILITY DAMAGE PROTECTION

The contractor shall make every effort to protect underground facilities from damage as prescribed in the Underground Facility Damage Protection Act of 1994, Kentucky Revised Statute KRS 367.4901 to 367.4917. It is the contractor's responsibility to determine and take steps necessary to be in compliance with federal and state damage prevention directives. When prescribed in said directives, the contractor shall submit Excavation Locate Requests to the Kentucky Contact Center (KY811) via web ticket entry. The submission of this request does not relieve the contractor from the responsibility of contacting non-member facility owners, whom shall be contacted through their individual Protection Notification Center. Non-compliance with these directives can result in the enforcement of penalties.

REGISTRATION WITH THE SECRETARY OF STATE BY A FOREIGN ENTITY

Pursuant to KRS 176.085(1)(b), an agency, department, office, or political subdivision of the Commonwealth of Kentucky shall not award a state contract to a person that is a foreign entity required by [KRS 14A.9-010](#) to obtain a certificate of authority to transact business in the Commonwealth ("certificate") from the Secretary of State under [KRS 14A.9-030](#) unless the person produces the certificate within fourteen (14) days of the bid or proposal opening. If the foreign entity is not required to obtain a certificate as provided in [KRS 14A.9-010](#), the foreign entity should identify the applicable exception. Foreign entity is defined within [KRS 14A.1-070](#).

For all foreign entities required to obtain a certificate of authority to transact business in the Commonwealth, if a copy of the certificate is not received by the contracting agency within the time frame identified above, the foreign entity's solicitation response shall be deemed non-responsive or the awarded contract shall be cancelled.

Businesses can register with the Secretary of State at <https://secure.kentucky.gov/sos/ftbr/welcome.aspx>.

SPECIAL NOTE FOR PROJECT QUESTIONS DURING ADVERTISEMENT

Questions about projects during the advertisement should be submitted in writing to the Division of Construction Procurement. This may be done by fax (502) 564-7299 or email to kytc.projectquestions@ky.gov. The Department will attempt to answer all submitted questions. The Department reserves the right not to answer if the question is not pertinent or does not aid in clarifying the project intent.

The deadline for posting answers will be 3:00 pm Eastern Daylight Time, the day preceding the Letting. Questions may be submitted until this deadline with the understanding that the later a question is submitted, the less likely an answer will be able to be provided.

The questions and answers will be posted for each Letting under the heading "Questions & Answers" on the Construction Procurement website (www.transportation.ky.gov/contract). The answers provided shall be considered part of this Special Note and, in case of a discrepancy, will govern over all other bidding documents.

HARDWOOD REMOVAL RESTRICTIONS

The US Department of Agriculture has imposed a quarantine in Kentucky and several surrounding states, to prevent the spread of an invasive insect, the emerald ash borer. Hardwood cut in conjunction with the project may not be removed from the state. Chipping or burning on site is the preferred method of disposal.

INSTRUCTIONS FOR EXCESS MATERIAL SITES AND BORROW SITES

Identification of excess material sites and borrow sites shall be the responsibility of the Contractor. The Contractor shall be responsible for compliance with all applicable state and federal laws and may wish to consult with the US Fish and Wildlife Service to seek protection under Section 10 of the Endangered Species Act for these activities.

ACCESS TO RECORDS

The contractor, as defined in KRS 45A.030 (9) agrees that the contracting agency, the Finance and Administration Cabinet, the Auditor of Public Accounts, and the Legislative Research Commission, or their duly authorized representatives, shall have access to any books, documents, papers, records, or other evidence, which are directly pertinent to this contract for the purpose of financial audit or program review. Records and other prequalification information confidentially

disclosed as part of the bid process shall not be deemed as directly pertinent to the contract and shall be exempt from disclosure as provided in KRS 61.878(1)(c). The contractor also recognizes that any books, documents, papers, records, or other evidence, received during a financial audit or program review shall be subject to the Kentucky Open Records Act, KRS 61.870 to 61.884.

In the event of a dispute between the contractor and the contracting agency, Attorney General, or the Auditor of Public Accounts over documents that are eligible for production and review, the Finance and Administration Cabinet shall review the dispute and issue a determination, in accordance with Secretary's Order 11-004.

April 30, 2018

SPECIAL NOTE FOR RECIPROCAL PREFERENCE

RECIPROCAL PREFERENCE TO BE GIVEN BY PUBLIC AGENCIES TO RESIDENT BIDDERS

By reference, KRS 45A.490 to 45A.494 are incorporated herein and in compliance regarding the bidders residency. Bidders who want to claim resident bidder status should complete the Affidavit for Claiming Resident Bidder Status along with their bid in the electronic bidding software. Submittal of the Affidavit should be done along the bid in Bid Express.

April 30, 2018

SIMON KENTON BRIDGE OVER OHIO RIVER

SUSPENDER TEMPORARY REPAIR

GENERAL NOTES

SPECIFICATIONS: ALL REFERENCES TO THE SPECIFICATIONS ARE TO THE CURRENT EDITION OF THE KENTUCKY DEPARTMENT OF HIGHWAYS STANDARD SPECIFICATIONS FOR ROAD AND BRIDGE CONSTRUCTION WITH CURRENT SUPPLEMENTAL SPECIFICATIONS. ALL REFERENCES TO THE AASHTO SPECIFICATIONS ARE TO THE EIGHTH EDITION 2017 AASHTO LRFD BRIDGE DESIGN SPECIFICATIONS.

COMPLETION OF THE STRUCTURE: THE CONTRACTOR IS REQUIRED TO COMPLETE THE STRUCTURE IN ACCORDANCE WITH THE PLANS AND SPECIFICATIONS. MATERIAL, LABOR OR CONSTRUCTION OPERATIONS, NOT OTHERWISE SPECIFIED, ARE TO BE INCLUDED IN THE BID ITEM MOST APPROPRIATE TO THE WORK INVOLVED. THIS MAY INCLUDE SHORING, BALLAST, REMOVAL OF ALL OR PARTS OF EXISTING STRUCTURES, PHASE CONSTRUCTION, INCIDENTAL MATERIALS, LABOR OR ANYTHING ELSE REQUIRED TO COMPLETE THE STRUCTURE.

ON-SITE INSPECTION: THE CONTRACTOR IS RESPONSIBLE FOR MAKING A SITE INSPECTION TO BECOME FAMILIAR WITH THE WORK TO BE PERFORMED AND TO MAKE APPROPRIATE ALLOWANCES FOR ALL WORK INCLUDED IN LUMP SUM BIDS. A SUITABLE METHOD OF PERFORMING THE WORK DESCRIBED HEREIN SHOULD BE INVESTIGATED. SUBMISSION OF A BID WILL BE CONSIDERED EVIDENCE OF THIS INSPECTION HAVING BEEN MADE. THE CONTRACTOR WILL NOT BE PAID EXTRA BECAUSE OF SITE CONDITIONS.

EXISTING STRUCTURE VERIFICATION: DETAILS AND DIMENSIONS SHOWN ON THESE PLANS PERTAINING TO THE EXISTING STRUCTURE ARE TAKEN FROM THE ORIGINAL CONSTRUCTION CONTRACT PLANS DATED 1930 AND DO NOT NECESSARILY REFLECT REVISIONS MADE DURING CONSTRUCTION. ACCORDINGLY, THE DETAILS AND DIMENSIONS ARE INDICATIVE OF THE EXISTING STRUCTURE AND THE PROPOSED WORK BUT SHALL BE CONSIDERED INFORMATIONAL AND APPROXIMATE.

THE CONTRACTOR SHALL VERIFY ALL PROFILES, ELEVATIONS, DIMENSIONS, AND DIMENSIONS, INCLUDING THICKNESS OF PARTS, WITH FIELD MEASUREMENTS PRIOR TO FABRICATION AND CONSTRUCTIONS. ALL PLAN DIMENSIONS ARE FOR A NORMAL TEMPERATURE OF 60° F. LAYOUT DIMENSIONS ARE HORIZONTAL DIMENSIONS.

WASTE MATERIAL: ALL WASTE MATERIAL THAT IS REQUIRED TO BE REMOVED SHALL BE DISPOSED OF OFF THE RIGHT-OF-WAY AT SITES ACQUIRED BY THE CONTRACTOR AND APPROVED BY THE ENGINEER, AT NO ADDITIONAL COST TO THE DEPARTMENT, PER SECTION 204.03.08 OF THE CURRENT EDITION OF THE KYTC STANDARD SPECIFICATIONS. NO WASTE WILL BE PERMITTED TO BE DROPPED IN THE OHIO RIVER AT ANY TIME.

SHOP DRAWINGS: THE CONTRACTOR SHALL SUBMIT FULL SETS OF PRINTS OF THE DETAILED SHOP DRAWINGS, WELDING PROCEDURES, AND DETAIL MATERIAL TO THE DEPARTMENT FOR APPROVAL IN ACCORDANCE WITH 607.03.01 OF THE SPECIFICATIONS. SHOP DRAWINGS REFLECTING CHANGES PROPOSED BY THE FABRICATOR OR SUPPLIER SHALL BE SUBMITTED TO THE DEPARTMENT THROUGH THE CONTRACTOR.

PROHIBITED FIELD WELDING: EXCEPT AS SHOWN ON THE PLANS, NO WELDING OF ANY NATURE SHALL BE PERFORMED ON THE LOAD CARRYING MEMBERS OF THE BRIDGE WITHOUT THE WRITTEN CONSENT OF THE DIRECTOR, DIVISION OF STRUCTURAL DESIGN, AND THEN ONLY IN THE MANNER AND AT THE LOCATIONS DESIGNATED IN THE AUTHORIZATION.

MILL TEST REPORTS: NOTARIZED TEST REPORTS SHALL BE FURNISHED IN TRIPLICATE TO THE DEPARTMENT SHOWING THAT ALL THE MATERIALS USED FOR THESE REPAIRS CONFORM TO THE REQUIREMENTS OF THE SPECIFICATIONS.

DAMAGE TO THE STRUCTURE: THE CONTRACTOR SHALL BEAR FULL RESPONSIBILITY AND EXPENSE FOR ANY AND ALL DAMAGE TO THE STRUCTURE, SHOULD SUCH DAMAGE RESULT FROM THE CONTRACTOR'S ACTIONS.

UTILITY PROTECTION: THE ACTIVE UTILITY DUCTS AND ELECTRICAL CONDUIT SHALL BE ADEQUATELY PROTECTED. ANY DAMAGE TO UTILITIES CAUSED BY THE CONTRACTOR SHALL BE REPAIRED AND NO ADDITIONAL PAYMENT WILL BE MADE FOR THE REPAIR WORK.

ROADWAY LIGHTING: THE CONTRACTOR MUST SAFEGUARD THE ROADWAY LIGHTING MOUNTED ON THE UPPER CHORD OF THE STIFFENING TRUSS IN THE MAIN SPANS WHILE PERFORMING WORK. THIS INCLUDES, BUT IS NOT LIMITED TO, ALL WIRES, TIES, CONNECTION BOXES AND SUPPORTING DEVICES. THE LIGHTING MUST BE IN WORKING CONDITION UPON COMPLETION OF WORK. ANY DAMAGE TO THE ROADWAY LIGHTING CAUSED BY THE CONTRACTOR SHALL BE REPAIRED AND NO ADDITIONAL PAYMENT WILL BE MADE FOR THE REPAIR WORK.

CONTRACTOR SHALL VISIT THE JOB SITE TO VERIFY EXISTING ROADWAY LIGHTING FIELD CONDITIONS AND ELECTRICAL UTILITIES PRIOR TO BID. REPORT ANY DISCREPANCIES TO ENGINEER PRIOR TO START OF WORK. NO EXTRAS WILL BE ALLOWED FOR OMITTED WORK DUE TO FAILURE TO INSPECT THE JOB SITE. START OF WORK SIGNIFIES ACCEPTANCE OF EXISTING CONDITION.

DECORATIVE LIGHTING: THE CONTRACTOR MUST SAFEGUARD THE DECORATIVE LIGHTING ON THE MAIN SUSPENSION CABLE WHILE PERFORMING WORK. THIS INCLUDES, BUT IS NOT LIMITED TO, ALL LIGHTS, WIRES, TIES, CONNECTIONS AND SUPPORTING DEVICES. THE DECORATIVE LIGHTING MUST BE IN WORKING CONDITION UPON COMPLETION OF WORK. ANY DAMAGE TO THE DECORATIVE LIGHTING CAUSED BY THE CONTRACTOR SHALL BE REPAIRED AND NO ADDITIONAL PAYMENT WILL BE MADE FOR THE REPAIR WORK.

CONTRACTOR SHALL VISIT THE JOB SITE TO VERIFY EXISTING DECORATIVE LIGHTING FIELD CONDITIONS AND ELECTRICAL UTILITIES PRIOR TO BID. REPORT ANY DISCREPANCIES TO ENGINEER PRIOR TO START OF WORK. NO EXTRAS WILL BE ALLOWED FOR OMITTED WORK DUE TO FAILURE TO INSPECT THE JOB SITE. START OF WORK SIGNIFIES ACCEPTANCE OF EXISTING CONDITION.

BRIDGE PLANS: A COPY OF THE BRIDGE CONSTRUCTION CONTRACT PLANS AND SHOP DRAWINGS, DATED 1930, WILL BE MADE AVAILABLE TO THE SUCCESSFUL BIDDER UPON THEIR WRITTEN REQUEST. THE DOCUMENTS INCLUDE THE 1930 ORIGINAL DESIGN CONTRACT PLANS AND 1931 SHOP DRAWINGS CONTRACT NUMBERS 5883, 5884, 5885, 5886 AND 5887.

LEAD PAINT: RESIDUAL LEAD PAINT MAY STILL BE ON THE BRIDGE EVEN AFTER PREVIOUS SANDBLASTINGS AND PAINTING OF THE BRIDGE. CONSEQUENTLY, THE CONTRACTOR IS ADVISED TO TAKE ALL NECESSARY PROTECTIVE MEASURES WHEN REMOVING, CUTTING, OR PERFORMING ANY OTHER ACTIONS ON THE EXISTING STEEL ESPECIALLY IN AREAS OF CONNECTIONS.

MATERIALS SPECIFICATIONS:

ALL STRUCTURAL STEEL SHALL CONFORM TO AASHTO M270 GRADE 50.

ALL BOLTS SHALL BE 1" DIAMETER F3125 GRADE A325 HIGH STRENGTH BOLTS.

THREADED ROD AND U-BOLT SHALL CONFORM TO F1554 GRADE 55 OR EQUIVALENT.

THREADED ROD AVAILABLE STRENGTH SHALL MEET OR EXCEED DESIGN DEMANDS OF 40 KIPS ASD AND 62 KIPS LRFD. THE THREADED ROD THREAD FORM SHALL BE COMPATIBLE WITH THE CLEVIS TAP.

CLEVIS SHALL CONFORM TO #5 CLEVIS DIMENSIONS AND AVAILABLE STRENGTH ASD/LRFD SPECIFICATIONS ON TABLE 15-3 AISC STEEL CONSTRUCTION MANUAL 13th EDITION. THE CLEVIS ROD TAP SHALL BE COMPATIBLE WITH THE THREADED ROD THREAD FORM. GRIP TO EQUAL 1 INCH.

PIN SHALL CONFORM TO ASTM A108 GRADE 1117 OR EQUIVALENT. ASTM F3125 GRADE A325 HIGH STRENGTH BOLTS MAY BE USED. PIN AVAILABLE STRENGTH SHALL MEET OR EXCEED THE THREADED ROD DESIGN DEMANDS.

ALL NEW STEEL SHALL BE PRIME COATED WITH A ZINC PRIMER IN ACCORDANCE WITH SECTION 607.03.23 OF THE STANDARD SPECIFICATIONS.

ALL HARDWARE INCLUDING CLEVIS, RODS, PINS AND HIGH STRENGTH BOLTS SHALL BE GALVANIZED.

BOLTED CONNECTIONS SHALL CONFORM TO 607.03.05 OF THE STANDARD SPECIFICATIONS.

JACKING: THE CONTRACTOR SHALL PROVIDE A JACKING PLAN TO THE ENGINEER FOR APPROVAL. THE INITIAL JACKING LOAD SHALL BE 10 KIPS PER THREADED ROD. THE JACKING OPERATIONS SHALL HAVE THE ENGINEER PRESENT WHEN THE INITIAL TENSIONING OCCURS.

LONG SUSPENDER TEMPORARY REPAIR @ A37-US, M37-US, & M35-US (INBOARD)

LONG SUSPENDER TEMPORARY REPAIR @ A43-US, M51-US, M45-US, M43-US, M41-US, M29-US, & M11-US

LONG SUSPENDER TEMPORARY REPAIRS SHALL BE CONSTRUCTED AT THE LOCATIONS SHOWN ON THE PLANS ON THE OUTBOARD SIDE OF THE TRUSS UNLESS NOTED OTHERWISE. THE WORK CONSISTS OF CONNECTING THE STRUCTURAL LIFTING SYSTEM TO THE STIFFENING TRUSS TO PROVIDE A TEMPORARY SUPPORT AS BACKUP AGAINST CORROSION RELATED DETERIORATION AT THE SUSPENDER END CONNECTION TO THE TRUSS.

THE LUMP SUM CONTRACT PRICE EACH TO CONSTRUCT THE LONG SUSPENDER TEMPORARY REPAIR SHALL BE FULL PAYMENT FOR MATERIAL, TOOLS, EQUIPMENT, LABOR, ACCESS AND INCIDENTALS TO COMPLETE THE WORK.

SHORT SUSPENDER TEMPORARY REPAIR @ A55-DS, A67-DS & M5-DS

SHORT SUSPENDER TEMPORARY REPAIR @ A57-US, A65-US, A67-US, ~~M7-US-&~~, ~~M3-US~~ & M1-US

SHORT SUSPENDER TEMPORARY SUPPORT SHALL BE CONSTRUCTED AT THE LOCATIONS SHOWN ON THE PLANS. THE WORK CONSISTS OF CONNECTING THE STRUCTURAL LIFTING SYSTEM TO THE STIFFENING TRUSS TO PROVIDE TEMPORARY SUPPORT AS BACKUP AGAINST CORROSION RELATED DETERIORATION AT THE SUSPENDER ENDCONNECTION TO THE TRUSS.

THE LUMP SUM CONTRACT PRICE EACH TO CONSTRUCT THE SHORT SUSPENDER TEMPORARY REPAIR SHALL BE FULL PAYMENT FOR MATERIAL, TOOLS, EQUIPMENT, LABOR, ACCESS AND INCIDENTALS TO COMPLETE THE WORK. REMOVE AND REPLACE THE DECORATIVE LIGHTING AS NECESSARY TO PERFORM THE WORK IS INCLUDED IN THIS WORK ITEM.

SPECIAL NOTE FOR BRIDGE CLEANING AND PREVENTIVE MAINTENANCE

1. DESCRIPTION. Perform all work in accordance with the Kentucky Transportation Cabinet, Department of Highway's 2019 Standard Specification for Road and Bridge Construction applicable Supplemental Specifications, Standard Drawings, this Note and Attached Drawings. Section references are to the Standard Specifications. This work consists of the following: (1) Furnish all labor, materials, tools, and equipment; (2) Debris removal; (3) Stratified and pack rust removal; (4) Pressure washing; (5) Structural steel coating; (6) Maintain and control traffic; (7) All other work required for this contract.

2. SUBMITTALS

The Contractor shall comply with the submittal requirements detailed in Section 108 of the Standard Specifications for Road and Bridge Construction (Current Edition) and submit the following **written** items to the Project Engineer **14 days** prior to the Pre-Construction Conference:

- A. Manufacturers' recommended Film Thickness and application conditions for the structural steel coating system to be used.

All submittals must be received, accepted and/or approved by the KYTC Engineer prior to beginning any work.

3. MATERIALS.

A. Wash Water

Use clean potable water for all pressure washing.

B. Structural Steel Coatings

Use one of the coatings from the following manufactures, or approved equal:

Manufacture	Material
Termarust Technologies	Termarust HRCSA
Rhomar Industries Inc.	Black Max
Rust Bullet, LLC	Rust Bullet

3. CONSTRUCTION.

A. Sequence of Work.

Complete work in the sequence listed below:

1. Debris Removal
2. Stratified and Pact Rust Removal
3. Pressure Washing
4. Structural Steel Coating

B. Debris Removal.

All debris shall be removed from the bridge components. See attached drawings for removal limits having debris removal. Equipment for removing debris from the bridge components shall be determined by the Contractor, subject to the approval of the Engineer. The Contractor shall prevent any debris from entering any body of water, bridge drainage system, or traffic lanes. All debris removed shall be disposed of in a suitable off-site disposal facility. Prior to all cleaning work, the Contractor shall confirm that any

bridge drainage system is not blocked by un-removable debris by rodding with a sewer rod or similar tool. A blocked drainage system is considered to be one from which debris cannot be removed using the means specified in this note. If the Engineer has been notified, and concurs that the drainage system is blocked prior to performing other cleaning work, then proceed at the direction of the engineer. If the Contractor does not inspect the bridge drainage system and notify the engineer prior to beginning work any blocked drains will be considered to be the result of the Contractor's operations, and all clearing and cleaning of the drainage system shall be done as part of the work of the specification. All vegetation present at areas of the bridge that are to be addressed in this proposal shall be removed as determined by the Engineer.

C. Stratified and Pack Rust Removal.

Stratified and pack rust shall be removed from all bridge components. See attached drawings for locations and removal limits. Hand tools including wire brushes, scrapers or impact devices (hand hammers or power chisels) are to be used for removing stratified and pack rust. All surfaces to have stratified and pack rust removed shall be cleaned to an SSPC SP-2 level. All debris collected shall be disposed of in a suitable off-site disposal facility.

D. Pressure Washing.

Specified bridge components shall be pressure washed. See attached drawings for limits of components to be pressure washed. All equipment for pressure washing shall be operated at a minimum pressure of up 4,000 psi with 45 to 90 degree spinner tip and/or fan tips as determined by the engineer at the working location with a minimum flow rate of 3.5 gal/minute provided that these pressures do not damage any components of the structure. Pressure and flow rates shall be reduced to a level satisfactory to the Engineer should any damage occur due to power washing procedures. Pressure washing shall be operated at distance as close as possible and approximately perpendicular to the surface. All pressure washing wands shall be equipped with a gauge to accurately determine the amount pressure used. Pressure washing of any bridge element will proceed from top of wash area to bottom of wash area. Wash water will not be released to a bridge element previously washed. Perform all pressure washing at temperatures above 40 degrees Fahrenheit.

Perform pressure washing to the limits shown on the attached drawings.

E. Structural Steel Coatings

The chosen structural steel coating shall be applied to the thickness and number of coatings per the manufacturer's recommendations. The application of the coating system shall be applied to a dried surface free of oil, water, grease, paint, and dirt per the manufacturers recommendations. In addition to the manufacturers recommendations the structural steel components shall be heated with a dry heat source to at least 110 degrees Fahrenheit for a minimum of 4 hours to ensure all moisture has been removed from the surface of plates and between adjacent plates providing a thoroughly dry surface.

F. Access.

The Contractor shall provide OSHA compliant safe access for all bridge cleaning and preventive maintenance operations and inspection.

G. Inspection.

The Cabinet will provide inspection for all items required in this contract. Visual inspection will be required upon completion of each work item for each structure component or at the discretion of the Engineer at any time. All visual inspection shall be performed within arm's length distance.

- 1. Debris Removal:** Visual Inspection
- 2. Stratified Rust or Pack Rust Removal:** Visual Inspection and Scraper
Test any surface cleaned to SSPC SP2 will be inspected by a dull scraper test to ascertain adherence of existing coating and a hammer test for tightness of pack rust.
- 3. Power Washing:** SSPC-SP12 / NACE 5 Industrial Blast Cleaning
- 4. Structural Steel Coating:** Visual Inspection.

H. Verifying Field Conditions.

The Contractor shall be familiar with all conditions at each bridge site. The Cabinet will not consider any claims due to the Contractor having not familiarized themselves with requirements of this work. Residual lead paint may present on each bridge. The Contractor is advised to take all necessary protective measures including worker safety and environmental regulations when performing surface preparation. The Department will not consider any claims based on residual lead paint.

I. Damage to the structure.

The Contractor shall bear all responsibility and expense for any and all damage to the structure during the repair work, even to the removal and replacement of a fallen span, should the fallen span result from the Contractors actions.

4. MEASUREMENT.

Bridge Cleaning and Preventative Maintenance: The Cabinet will measure this item as "Lump Sum"

5. PAYMENT.

Bridge Cleaning and Preventative Maintenance (23949EC): The contract price for this item will be paid as a lump sum. The payment for this bid item at the contract unit price of Lump Sum shall be considered full compensation for complete and accepted work for all work items described in this note and attached drawings which includes all labor, materials, equipment needed to complete all specified items in this contract for '**BRIDGE CLEANING AND PREVENTIVE MAINTENANCE**'.

SPECIAL NOTE FOR CONTRACT COMPLETION DATE AND LIQUIDATED DAMAGES ON BRIDGE REPAIR CONTRACT

I. COMPLETION DATE.

The Contractor has the option of selecting the starting date for this Contract. Once selected, notify the Department in writing of the date selected at least two weeks prior to beginning work. All work is to be completed by April 15, 2020. An allotted number of Calendar days is assigned to this contract as shown below.

ALOTTED CALENDAR DAYS
30

Contrary to Kentucky Transportation Cabinet Department of Highways Standard Specifications for Road and Bridge Construction, Edition of 2019 (Standard Specifications), Section 108.07.02, the Engineer will begin charging calendar days on the day the Contractor starts work or sets up traffic control. Once work has begun, work days shall be continuous until the work is complete. The structure will be closed for the work, and when closed, shall include the pedestrian sidewalk.

II. LIQUIDATED DAMAGES.

The Contractor will be assessed the following Liquidated Damages:

- (1) Liquidated Damages of \$5,000 per day for each day exceeding the allotted closure days

Contrary to the Standard Specifications, liquidated damages will be assessed to the Contractor during the months of December, January, February and March when the contract time has expired. Contract time will be charged during these months.

All construction must be completed in accordance with the weather limitations specified in Section 614, Section 606 and/or Section 601 as applicable. No extension of Contract time will be granted due to inclement weather or temperature limitations that occur due to starting work on the Contract or a structure late in the construction season.

SPECIAL NOTE FOR TRAFFIC CONTROL ON BRIDGE REPAIR CONTRACTS

I. TRAFFIC CONTROL GENERAL

Except as provided herein, traffic shall be maintained in accordance with the 2019 Standard Specifications, Section 112. Except for the roadway and traffic control bid items listed, all items of work necessary to maintain and control traffic will be paid at the lump sum bid price to “Maintain and Control Traffic”.

Contrary to Section 106.01, traffic control devices used on this project may be new or used in new condition, at the beginning of the work and maintained in like new condition until completion of the work.

II. TRAFFIC COORDINATOR

Furnish a Traffic Coordinator as per Section 112. The Traffic Coordinator shall inspect the project maintenance of traffic, at least three times daily, or as directed by the Engineer, during the Contractor’s operations and at any time a lane closure is in place. The personnel shall have access on the project to a radio or telephone to be used in case of emergencies or accidents. The Traffic Coordinator shall report all incidents throughout the work zone to the Engineer on the project. The Contractor shall furnish the name and telephone number where the Traffic Coordinator can be contacted at all times.

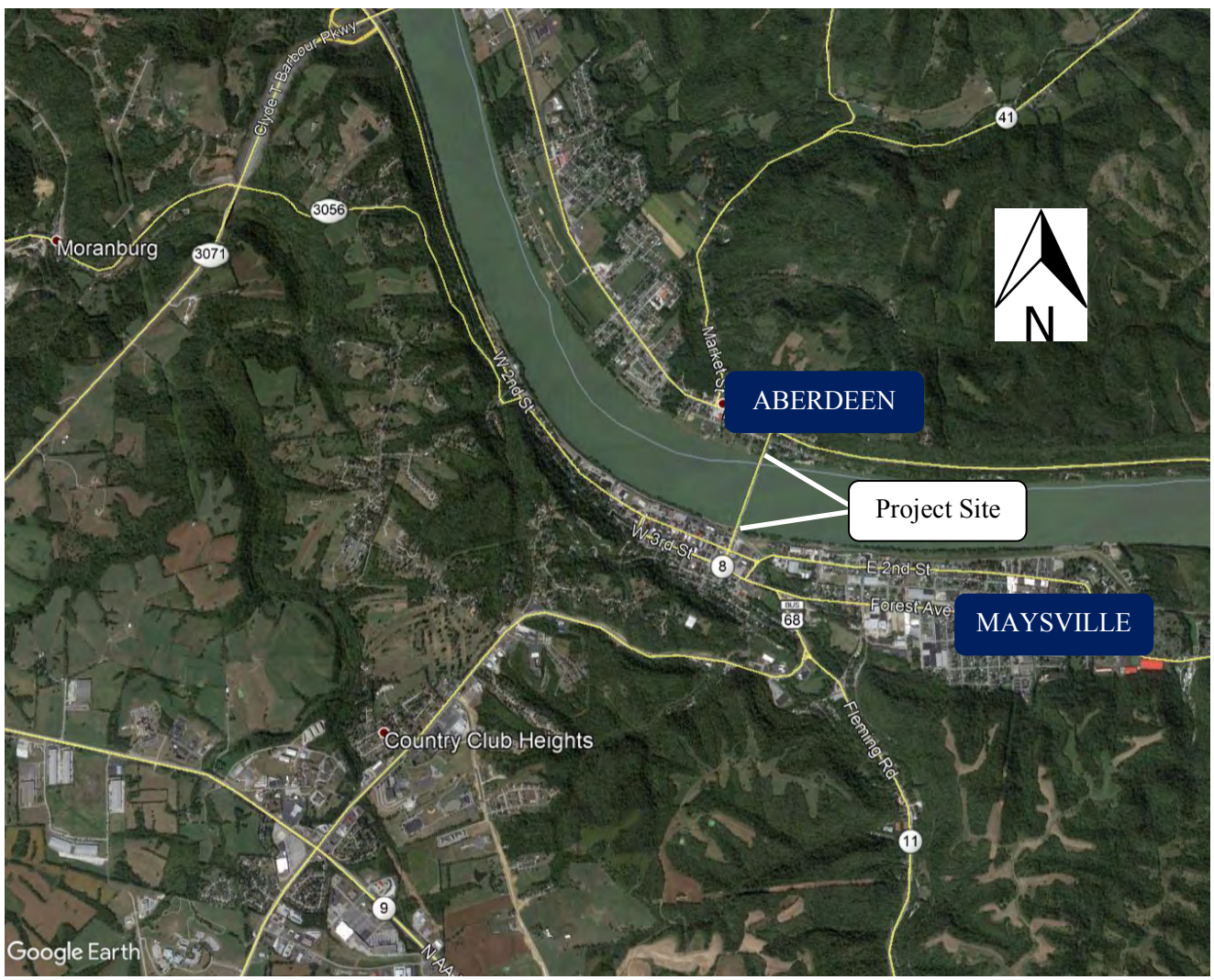
III. SIGNS

Contrary to Section 112.04.02, only long term signs (sign intended to be continuously in place for more than 3 days) will be measured for payment; short term signs (signs intended to be left in place for 3 days or less) will not be measured for payment but will be incidental to Maintain and Control Traffic.

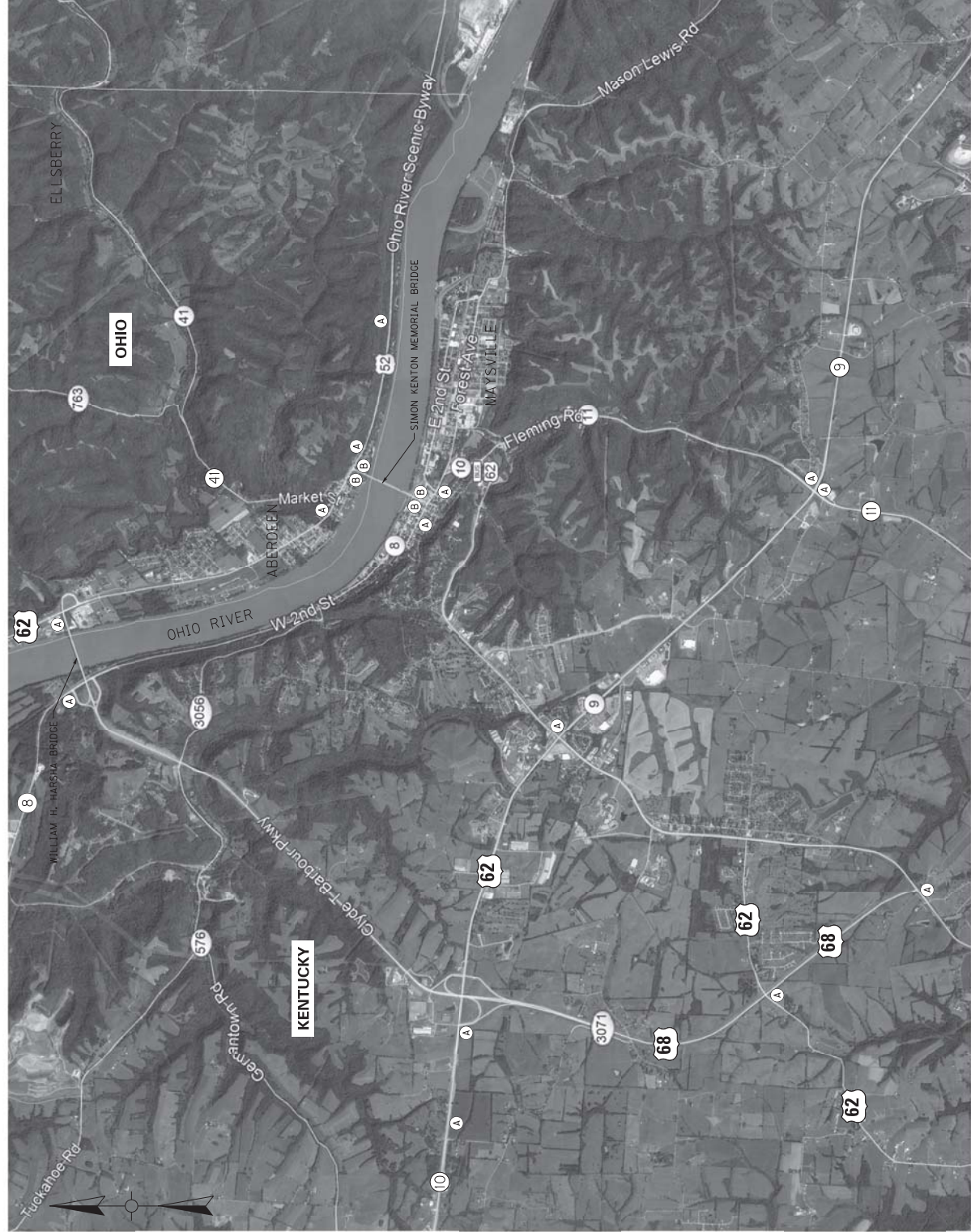
The contractor is to install warning signs for wide loads in advance of the bridge under the direction of the Engineer. The Department will not measure installation, maintenance, or removal for payment, and will consider these incidentals to Maintain and Control Traffic.

PROJECT SITE MAP

Simon Kenton Bridge (US-62X) over Ohio River
Mason County
Maysville, Kentucky
081B00041



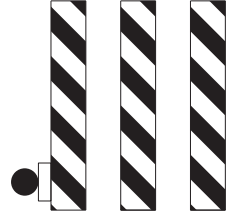
SHEET NO.	ITEM NO.	COUNTY OF
		MASON



NOT TO SCALE

PORTABLE CHANGEABLE MESSAGE SIGN
 (A)

ROAD CLOSED
 R11-2
 (48" x 30")



TYPE III BARRICADE AT THE NORTH AND SOUTH ENDS OF BRIDGE, RESPECTIVELY.
 (B)

NOTES

ALL TRAFFIC CONTROL DEVICES SHALL COMPLY WITH THE STANDARD DRAWINGS AND THE CURRENT MANUAL ON UNIFORM TRAFFIC CONTROL DEVICES, EXCEPT AS PROVIDED IN ACCORDANCE WITH THE CURRENT EDITION OF THE STANDARD SPECIFICATIONS FOR ROAD AND BRIDGE CONSTRUCTION AND THE STANDARD DRAWINGS FOR TRAFFIC CONTROL DEVICES. ALL TRAFFIC CONTROL BID ITEMS LISTED, ALL ITEMS OF WORK NECESSARY TO MAINTAIN AND CONTROL TRAFFIC UNTIL COMPLETION OF THE PROJECT SHALL MAINTAIN AND CONTROL TRAFFIC. THE RELOCATION OF SIGNS FOR MAINTENANCE OF PUBLIC DURING CONSTRUCTION, INCLUDING INCIDENTAL TO OTHER ITEMS OF WORK, CHANGES IN THE TRAFFIC CONTROL PLAN WILL REQUIRE APPROVAL OF THE ENGINEER. WHILE BRIDGE CLOSURE IS IN PLACE, ALL PEDESTRIAN ACCESS SHALL BE RESTRICTED. LOCATION OF PORTABLE CHANGEABLE MESSAGE SIGNS SHALL BE COORDINATED WITH ENGINEER.

SIMON KENTON MEMORIAL BRIDGE
 DETOUR MAP

← ABERDEEN, OH

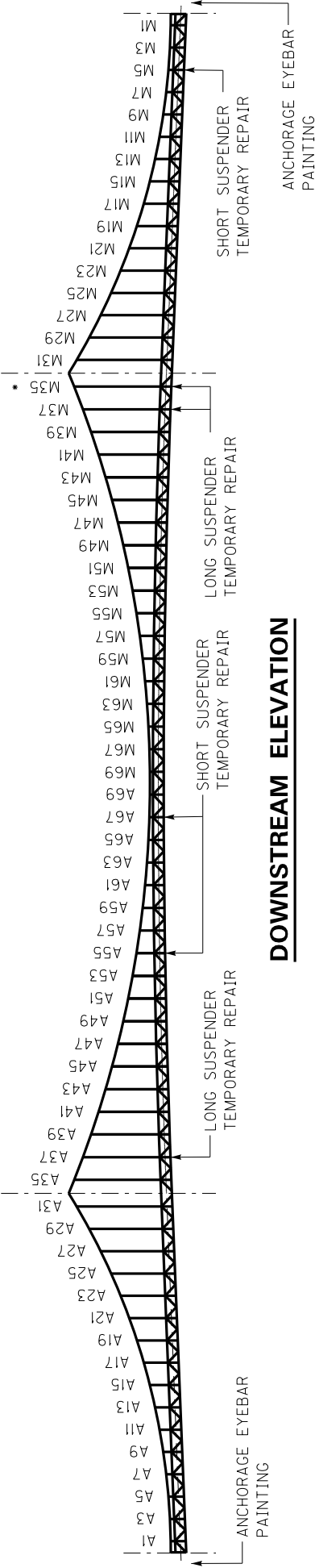
MAYSVILLE, KY →

FILE NAME: C:\SIMON KENTON\ELEVATION.DGN

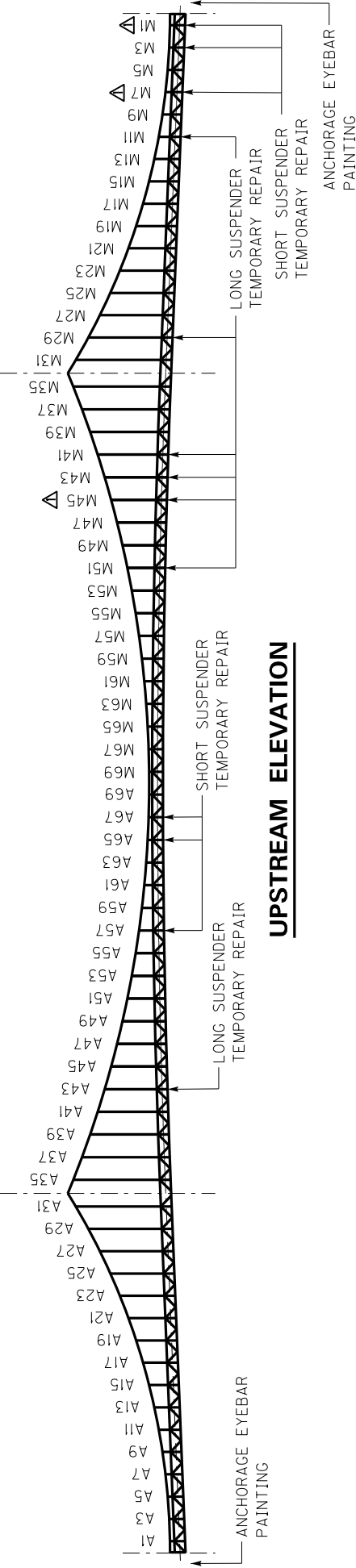
USER: MaryJo.Dwyer
DATE PLOTTED: October 22, 2019

E-SHEET NAME: S23464 259

MicroStation v8.11.9.459



DOWNSTREAM ELEVATION



UPSTREAM ELEVATION

NOTES

- 1. LONG SUSPENDER TEMPORARY REPAIR LOCATED ON OUTBOARD SUSPENDER UNLESS NOTED OTHERWISE.

LEGEND

- * LONG SUSPENDER TEMPORARY REPAIR LOCATED ON INBOARD SUSPENDER

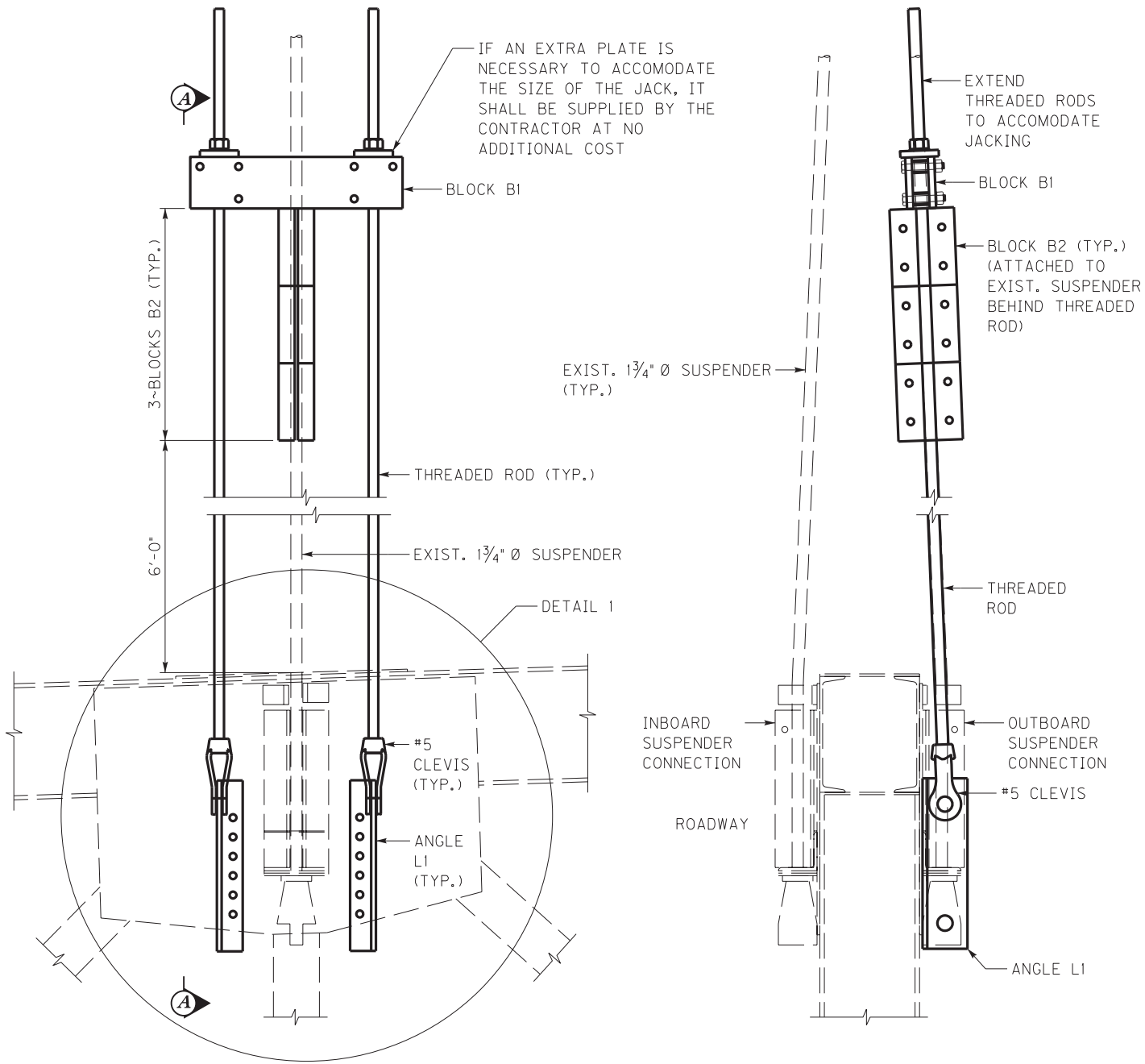
ADDENDUM 1	REVISION	DATE
		10/22/19
DATE: SEPTEMBER 2019	DESIGNED BY: JCS	CHECKED BY:
DETAILED BY: MJD	DMB	JCS
Commonwealth of Kentucky DEPARTMENT OF HIGHWAYS		
COUNTY MASON		
ROUTE US62	CROSSING OHIO RIVER	
MAIN SPANS ELEVATION		
PREPARED BY		
Michael Baker INTERNATIONAL		
1650 Lyndon Farm Court Louisville, KY 40223 Phone: (502) 338-3557 MBAKERINTL.COM		
SHEET NO. 1	Page 10	Contract ID: 92316
		DRWING NO. 0 of 38

FILE NAME: C:\SIMON KENTON\LONG SUSPENDER REPAIR.DGN

USER: MorryJo.Dwyer
 DATE PLOTTED: September 19, 2019

E-SHEET NAME: S23464 259

MicroStation v8.11.9.459



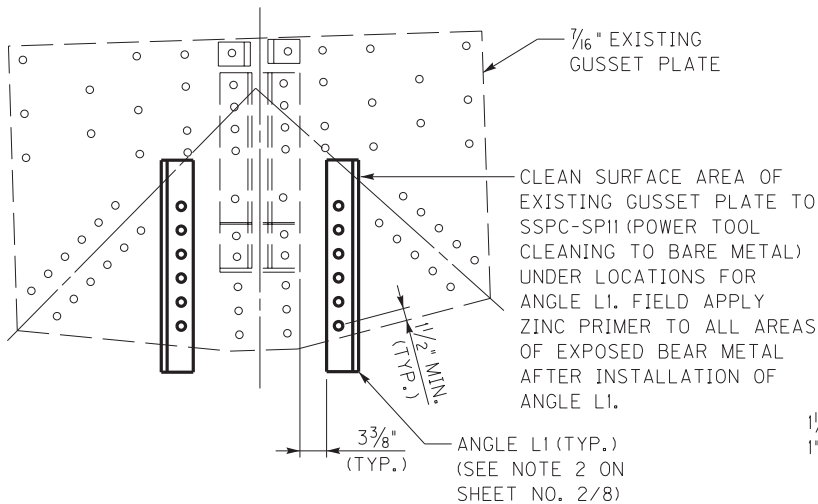
SIDE ELEVATION

SECTION A-A

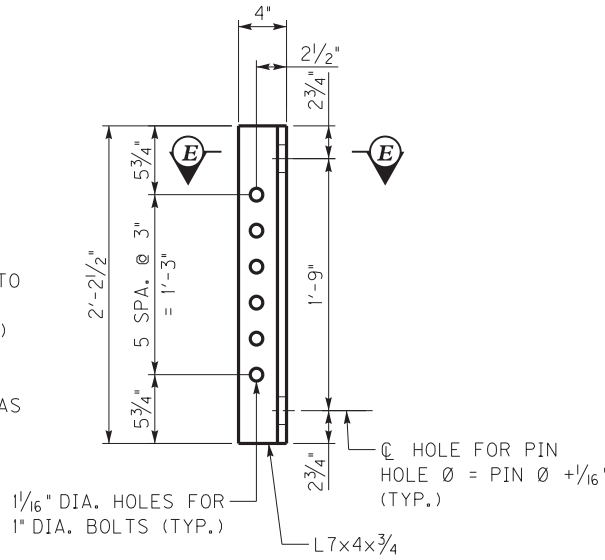
NOTES

1. WORK TO BE PERFORMED AT STIFFENING TRUSS TOP CHORD LOCATIONS AS SHOWN ON MAIN SPAN ELEVATION SHEET NO. 1 OF 8.
2. USE ANGLE L1 AS A TEMPLATE TO FIELD DRILL 1/16" DIA. HOLES FOR 1" DIA. BOLTS IN EXISTING GUSSET PLATE. NO FLAME CUTTING OF THE HOLES SHALL BE ALLOWED.
3. ALL BOLTS IN BLOCK B2 SHALL BE BROUGHT TO A SNUG-TIGHT CONDITION. MATCH MARK THE NUT AND PLATE THEN, USING THE TURN OF THE NUT METHOD, ENSURE THAT A MINIMUM OF 51 KIPS OF PRETENSIONING IS APPLIED TO THE BOLT.

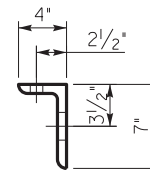
REVISION		DATE
DATE: SEPTEMBER 2019		CHECKED BY
DESIGNED BY: JCS	DMB	
DETAILED BY: MJD	JCS	
Commonwealth of Kentucky DEPARTMENT OF HIGHWAYS		
COUNTY MASON		
ROUTE US62	CROSSING OHIO RIVER	
LONG SUSPENDER TEMP. REPAIR		
PREPARED BY Michael Baker INTERNATIONAL		SHEET NO. 2 / 8 DRAWING NO.
1650 Lyndon Farm Court Louisville, KY 40223 Phone: (502) 339-3557 MBAKERINTL.COM		



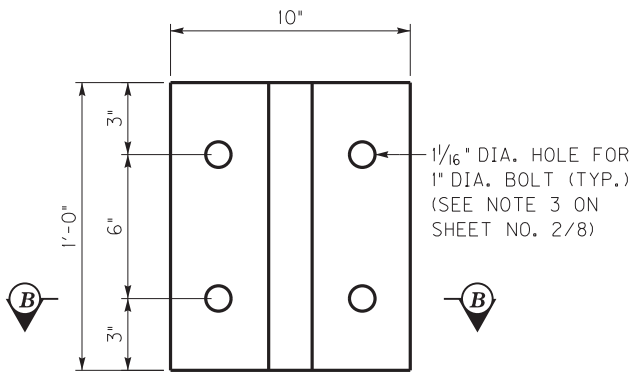
DETAIL 1



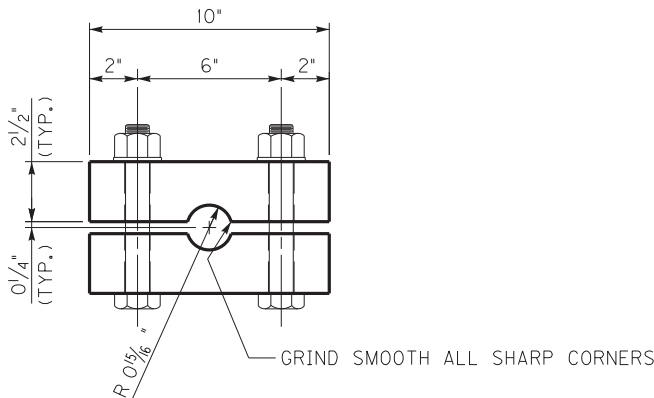
ANGLE L1



SECTION E-E



BLOCK B2



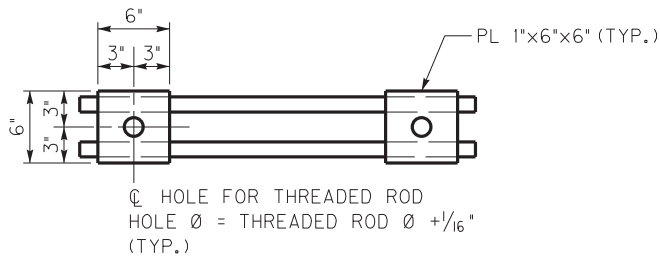
SECTION B-B

FILE NAME: C:\SIMON KENTON\LONG SUSPENDER REPAIR.DGN
 USER: MorryJo.Dwyer
 DATE PLOTTED: September 19, 2019

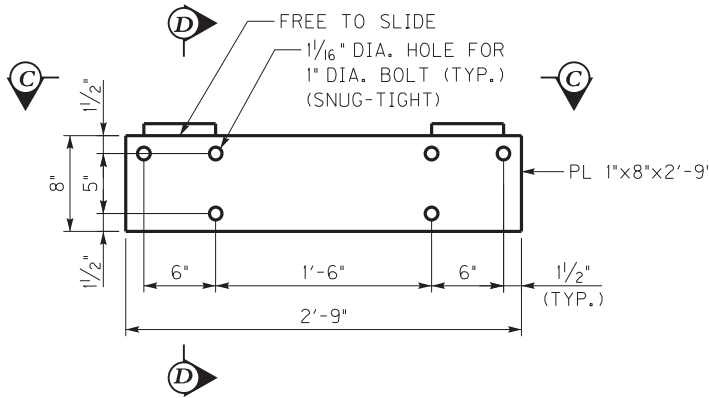
E-SHEET NAME: S23464 259

MicroStation v8.11.9.459

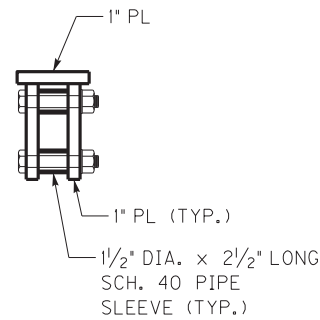
REVISION		DATE
DATE: SEPTEMBER 2019	CHECKED BY	
DESIGNED BY: JCS	DMB	
DETAILED BY: MJD	JCS	
Commonwealth of Kentucky DEPARTMENT OF HIGHWAYS		
COUNTY MASON		
ROUTE US62	CROSSING OHIO RIVER	
LONG SUSPENDER TEMP. REPAIR		
PREPARED BY Michael Baker INTERNATIONAL		SHEET NO. 3 / 8 DRAWING NO.
1650 Lyndon Farm Court Louisville, KY 40223 Phone: (502) 339-3557 MBAKERINTL.COM		



VIEW C-C
 BOLTS NOT SHOWN FOR CLARITY



BLOCK B1



SECTION D-D

MATERIAL TAKE-OFF (EACH REPAIR)	
PART NAME	QUANTITY (EACH)
THREADED ROD	2
#5 CLEVIS	2
PIN	2
ANGLE L1	2
BLOCK B1	1
BLOCK B2	3

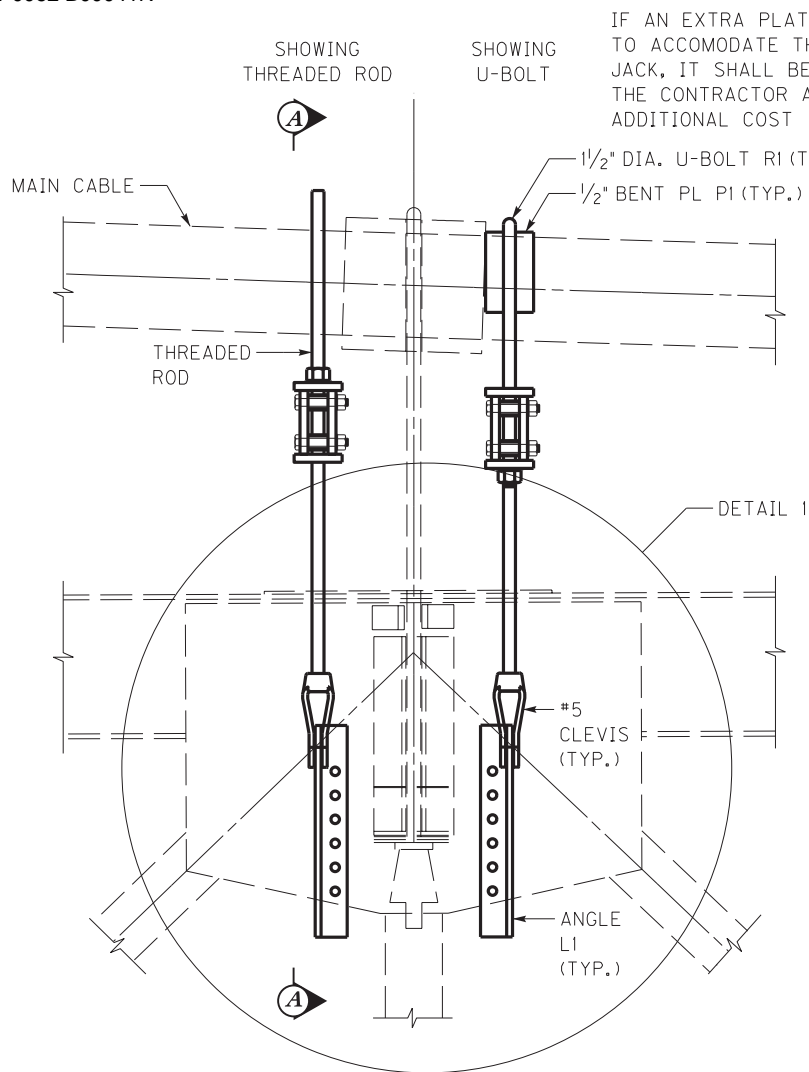
REVISION		DATE
DATE: SEPTEMBER 2019	CHECKED BY	
DESIGNED BY: JCS	DMB	
DETAILED BY: MJD	JCS	
Commonwealth of Kentucky DEPARTMENT OF HIGHWAYS		
COUNTY MASON		
ROUTE US62	CROSSING OHIO RIVER	
LONG SUSPENDER TEMP. REPAIR		
PREPARED BY Michael Baker INTERNATIONAL		SHEET NO. 4 / 8 DRAWING NO.
1650 Lyndon Farm Court Louisville, KY 40223 Phone: (502) 339-3557 MBAKERINTL.COM		

FILE NAME: C:\SIMON KENTON\LONG SUSPENDER REPAIR.DGN

USER: MorryJo.Dwyer
 DATE PLOTTED: September 19, 2019

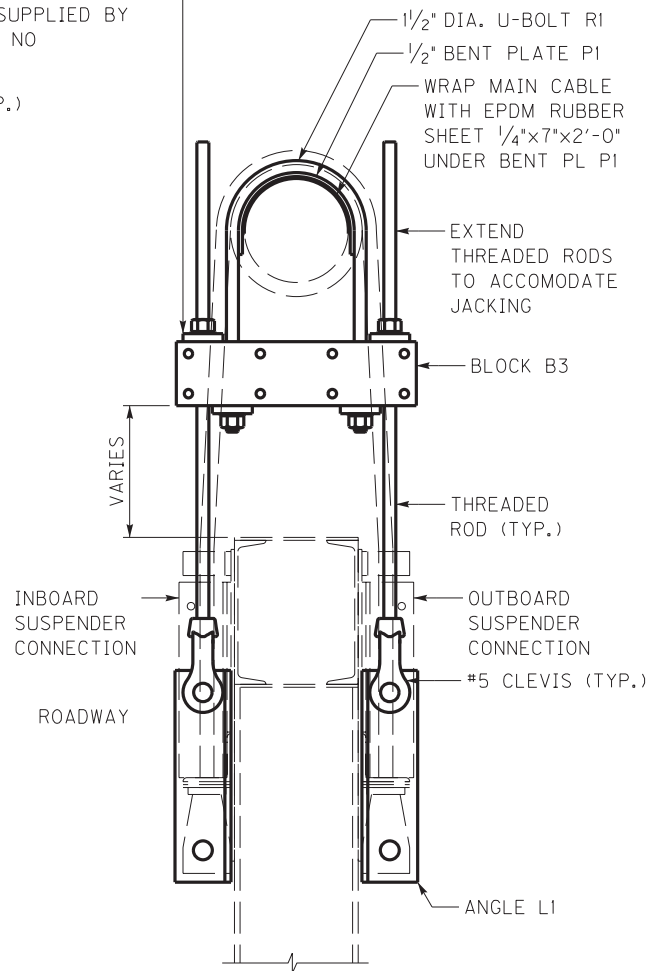
E-SHEET NAME: S23464 259

MicroStation v8.11.9.459



SIDE ELEVATION

DECORATIVE LIGHTING ON MAIN CABLE NOT SHOWN
(SEE NOTE 3)



SECTION A-A

NOTES

1. WORK TO BE PERFORMED AT STIFFENING TRUSS TOP CHORD SUSPENDER CONNECTION LOCATIONS AS SHOWN ON MAIN SPAN ELEVATION SHEET NO. 1 OF 8.
2. USE ANGLE L1 AS A TEMPLATE TO FIELD DRILL 1/16" DIA. HOLES FOR 1" DIA. BOLTS IN EXISTING GUSSET PLATE. NO FLAME CUTTING OF THE HOLES SHALL BE ALLOWED.
3. A PORTION OF THE EXISTING DECORATIVE LIGHTING ON THE MAIN CABLE SHALL BE REMOVED AS NECESSARY TO PERFORM THE WORK. DECORATIVE LIGHTING SHALL BE RECONSTRUCTED TO RESTORE IT'S FORMER CONDITION AT NO ADDITIONAL COST.

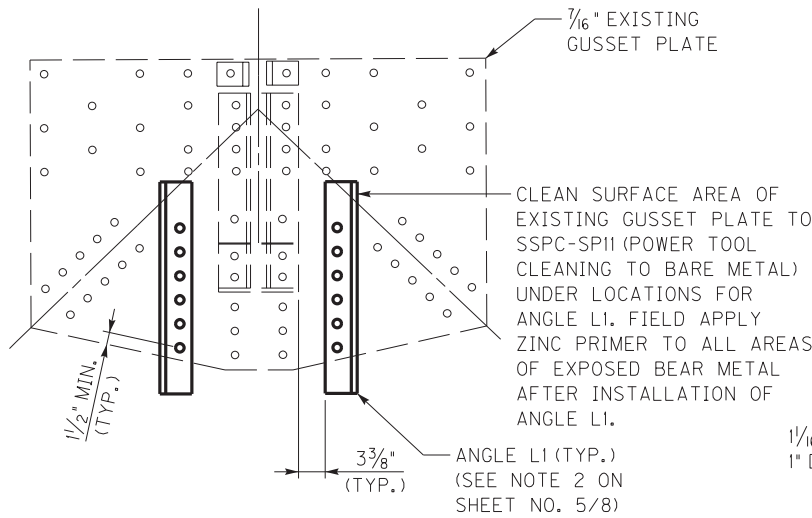
FILE NAME: C:\SIMON KENTON\SHORT SUSPENDER REPAIR.DGN

USER: MorryJo.Dwyer
DATE PLOTTED: September 19, 2019

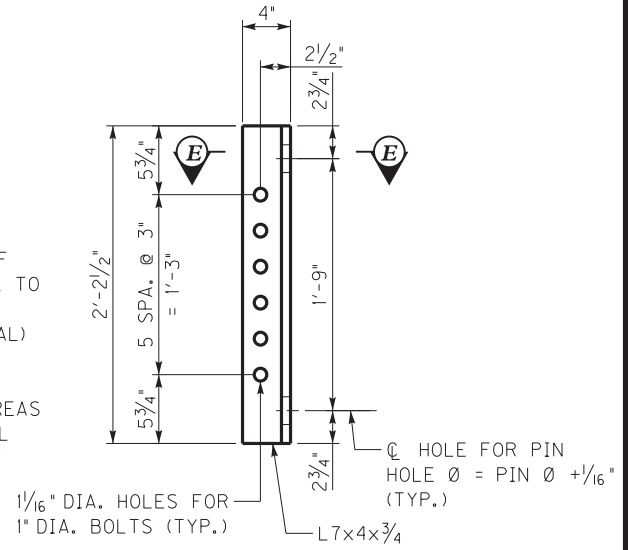
E-SHEET NAME: S23464 259

MicroStation v8.11.9.459

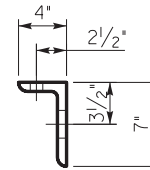
REVISION	
DATE	
DATE: SEPTEMBER 2019	CHECKED BY
DESIGNED BY: JCS	DMB
DETAILED BY: MJD	JCS
Commonwealth of Kentucky DEPARTMENT OF HIGHWAYS	
COUNTY MASON	
ROUTE US62	CROSSING OHIO RIVER
SHORT SUSPENDER TEMP. REPAIR	
PREPARED BY Michael Baker INTERNATIONAL	SHEET NO. 5 / 8 DRAWING NO.
1650 Lyndon Farm Court Louisville, KY 40223 Phone: (502) 339-3557 MBAKERINTL.COM	



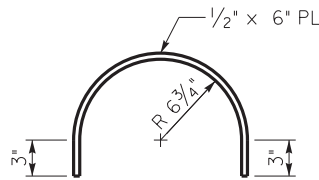
DETAIL 1



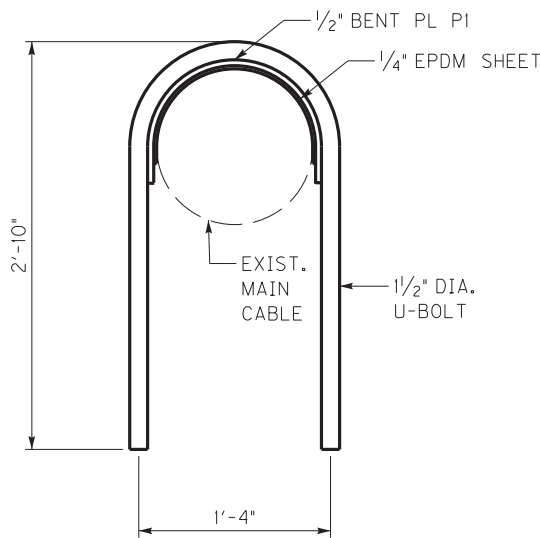
ANGLE L1



SECTION E-E



BENT PL P1



U-BOLT R1

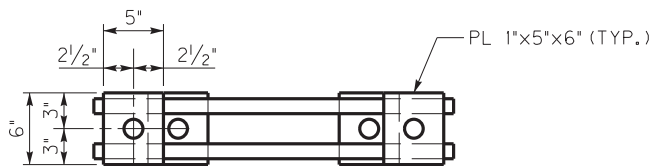
FILE NAME: C:\SIMON KENTON\SHORT SUSPENDER REPAIR.DGN

USER: MorryJo.Dwyer
 DATE PLOTTED: September 19, 2019

E-SHEET NAME: S23464 259

MicroStation v8.11.9.459

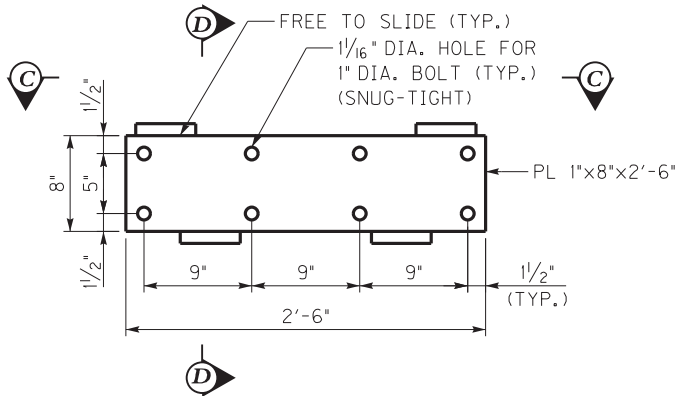
REVISION		DATE
DATE: SEPTEMBER 2019	CHECKED BY	
DESIGNED BY: JCS	DMB	
DETAILED BY: MJD	JCS	
Commonwealth of Kentucky DEPARTMENT OF HIGHWAYS		
COUNTY MASON		
ROUTE US62	CROSSING OHIO RIVER	
SHORT SUSPENDER TEMP. REPAIR		
PREPARED BY Michael Baker INTERNATIONAL	1650 Lyndon Farm Court Louisville, KY 40223 Phone: (502) 339-3557 MBAKERINTL.COM	SHEET NO. 6 / 8 DRAWING NO.



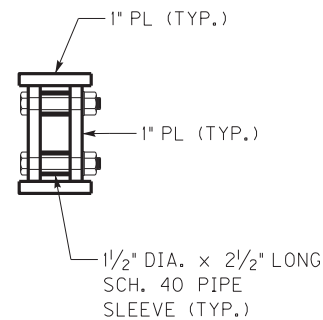
CL HOLE FOR THREADED ROD
HOLE Ø = THREADED ROD Ø + 1/16"
(TYP.)

VIEW C-C

BOLTS NOT SHOWN FOR CLARITY



BLOCK B3



SECTION D-D

FILE NAME: C:\SIMON KENTON\SHORT SUSPENDER REPAIR.DGN

USER: MorryJo.Dwyer
DATE PLOTTED: September 19, 2019

E-SHEET NAME: S23464 259

MicroStation v8.11.9.459

MATERIAL TAKE-OFF (EACH REPAIR)	
PART NAME	QUANTITY (EACH)
THREADED ROD	4
#5 CLEVIS	4
PIN	4
ANGLE L1	4
BLOCK B3	2
U-BOLT R1	2
BENT PL P1	2
EPDM RUBBER SHEET	2

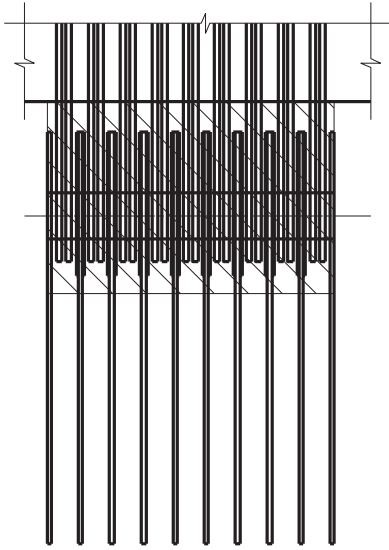
REVISION		DATE
DATE: SEPTEMBER 2019	CHECKED BY	
DESIGNED BY: JCS	DMB	
DETAILED BY: MJD	JCS	
Commonwealth of Kentucky DEPARTMENT OF HIGHWAYS		
COUNTY MASON		
ROUTE US62	CROSSING OHIO RIVER	
SHORT SUSPENDER TEMP. REPAIR		
PREPARED BY Michael Baker INTERNATIONAL		SHEET NO. 7 / 8 DRAWING NO.
1650 Lyndon Farm Court Louisville, KY 40223 Phone: (502) 339-3557 MBAKERINTL.COM		

FILE NAME: C:\SIMON KENTON\EYEBAR PAINTING.DGN

USER: MorryJo.Dwyer
 DATE PLOTTED: September 19, 2019

E-SHEET NAME: S23464 259


MicroStation v8.11.9.459

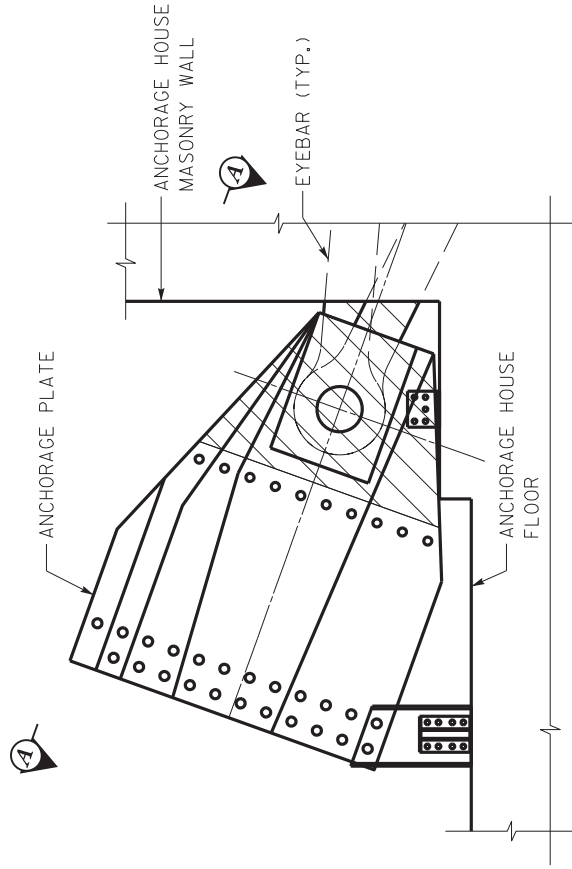


VIEW A-A

- NOTES**
1. THE ANCHORAGE EYEBARS ARE LOCATED INSIDE THE ANCHORAGE HOUSE AT EACH CORNER OF THE BRIDGE.
 2. THERE ARE A TOTAL OF 18 EYEBARS AND 10 ANCHORAGE PLATES AT EACH OF THE 4 ANCHORAGES.
 3. THE CLEANING AND PAINTING OF THE EYEBARS AND ANCHORAGE PLATES SHALL BE IN ACCORDANCE WITH THE SPECIAL NOTE FOR BRIDGE CLEANING AND PREVENTIVE MAINTENANCE.

LEGEND

 CLEANING AND PAINTING LIMITS



ELEVATION

STRANDS NOT SHOWN

DATE: SEPTEMBER 2019	REVISION	CHECKED BY	DATE
DESIGNED BY: JCS		DMB	
DETAILED BY: MJD		JCS	
Commonwealth of Kentucky DEPARTMENT OF HIGHWAYS			
COUNTY MASON			
ROUTE US62		CROSSING OHIO RIVER	
ANCHORAGE EYEBAR PAINT LIMITS			
PREPARED BY			
Michael Baker INTERNATIONAL			
1650 Lyndon Farm Court Louisville, KY 40223 Phone: (502) 339-3557 MBAKERINTL.COM			
SHEET NO.	7	OF	38
DRAWING NO.			

PART II
SPECIFICATIONS AND STANDARD DRAWINGS

SPECIFICATIONS REFERENCE

Any reference in the plans or proposal to previous editions of the *Standard Specifications for Road and Bridge Construction* and *Standard Drawings* are superseded by *Standard Specifications for Road and Bridge Construction, Edition of 2019* and *Standard Drawings, Edition of 2016*.

SUPPLEMENTAL SPECIFICATIONS

The contractor shall use the Supplemental Specifications that are effective at the time of letting.
The Supplemental Specifications can be found at the following link:

<http://transportation.ky.gov/Construction/Pages/Kentucky-Standard-Specifications.aspx>

PART III

EMPLOYMENT, WAGE AND RECORD REQUIREMENTS

**TRANSPORTATION CABINET
DEPARTMENT OF HIGHWAYS**

**LABOR AND WAGE REQUIREMENTS
APPLICABLE TO OTHER THAN FEDERAL-AID SYSTEM PROJECTS**

- I. Application
- II. Nondiscrimination of Employees (KRS 344)

I. APPLICATION

1. These contract provisions shall apply to all work performed on the contract by the contractor with his own organization and with the assistance of workmen under his immediate superintendence and to all work performed on the contract by piecework, station work or by subcontract. The contractor's organization shall be construed to include only workmen employed and paid directly by the contractor and equipment owned or rented by him, with or without operators.

2. The contractor shall insert in each of his subcontracts all of the stipulations contained in these Required Provisions and such other stipulations as may be required.

3. A breach of any of the stipulations contained in these Required Provisions may be grounds for termination of the contract.

3. If the contractor is in control of apprenticeship or other training or retraining, including on-the-job training programs, he shall not discriminate against an individual because of his race, color, religion, national origin, sex, disability or age forty (40) and over, in admission to, or employment in any program established to provide apprenticeship or other training.

4. The contractor will send to each labor union or representative of workers with which he has a collective bargaining agreement or other contract or understanding, a notice to be provided advising the said labor union or workers' representative of the contractor's commitments under this section, and shall post copies of the notice in conspicuous places available to employees and applicants for employment. The contractor will take such action with respect to any subcontract or purchase order as the administering agency may direct as a means of enforcing such provisions, including sanctions for non-compliance.

Revised: January 25, 2017

II. NONDISCRIMINATION OF EMPLOYEES

**AN ACT OF THE KENTUCKY
GENERAL ASSEMBLY TO PREVENT
DISCRIMINATION IN EMPLOYMENT
KRS CHAPTER 344
EFFECTIVE JUNE 16, 1972**

The contract on this project, in accordance with KRS Chapter 344, provides that during the performance of this contract, the contractor agrees as follows:

1. The contractor shall not fail or refuse to hire, or shall not discharge any individual, or otherwise discriminate against an individual with respect to his compensation, terms, conditions, or privileges of employment, because of such individual's race, color, religion, national origin, sex, disability or age (forty and above); or limit, segregate, or classify his employees in any way which would deprive or tend to deprive an individual of employment opportunities or otherwise adversely affect his status as an employee, because of such individual's race, color, religion, national origin, sex, disability or age forty (40) and over. The contractor agrees to post in conspicuous places, available to employees and applicants for employment, notices to be provided setting forth the provisions of this nondiscrimination clause.

2. The contractor shall not print or publish or cause to be printed or published a notice or advertisement relating to employment by such an employer or membership in or any classification or referral for employment by the employment agency, indicating any preference, limitation, specification, or discrimination, based on race, color, religion, national origin, sex, or age forty (40) and over, or because the person is a qualified individual with a disability, except that such a notice or advertisement may indicate a preference, limitation, or specification based on religion, national origin, sex, or age forty (40) and over, or because the person is a qualified individual with a disability, when religion, national origin, sex, or age forty (40) and over, or because the person is a qualified individual with a disability, is a bona fide occupational qualification for employment.

EXECUTIVE BRANCH CODE OF ETHICS

In the 1992 regular legislative session, the General Assembly passed and Governor Brereton Jones signed Senate Bill 63 (codified as KRS 11A), the Executive Branch Code of Ethics, which states, in part:

KRS 11A.040 (7) provides:

No present or former public servant shall, within six (6) months following termination of his office or employment, accept employment, compensation, or other economic benefit from any person or business that contracts or does business with, or is regulated by, the state in matters in which he was directly involved during the last thirty-six (36) months of his tenure. This provision shall not prohibit an individual from returning to the same business, firm, occupation, or profession in which he was involved prior to taking office or beginning his term of employment, or for which he received, prior to his state employment, a professional degree or license, provided that, for a period of six (6) months, he personally refrains from working on any matter in which he was directly involved during the last thirty-six (36) months of his tenure in state government. This subsection shall not prohibit the performance of ministerial functions, including but not limited to filing tax returns, filing applications for permits or licenses, or filing incorporation papers, nor shall it prohibit the former officer or public servant from receiving public funds disbursed through entitlement programs.

KRS 11A.040 (9) states:

A former public servant shall not represent a person or business before a state agency in a matter in which the former public servant was directly involved during the last thirty-six (36) months of his tenure, for a period of one (1) year after the latter of:

- a) The date of leaving office or termination of employment; or
- b) The date the term of office expires to which the public servant was elected.

This law is intended to promote public confidence in the integrity of state government and to declare as public policy the idea that state employees should view their work as a public trust and not as a way to obtain private benefits.

If you have worked for the executive branch of state government within the past six months, you may be subject to the law's prohibitions. The law's applicability may be different if you hold elected office or are contemplating representation of another before a state agency.

Also, if you are affiliated with a firm which does business with the state and which employs former state executive-branch employees, you should be aware that the law may apply to them.

In case of doubt, the law permits you to request an advisory opinion from the Executive Branch Ethics Commission, 3 Fountain Place, Frankfort, Kentucky 40601; telephone (502) 564-7954.

Revised: January 27, 2017

Kentucky Equal Employment Opportunity Act of 1978

The requirements of the Kentucky Equal Employment Opportunity Act of 1978 (KRS 45.560-45.640) shall apply to this Contract. The apparent low Bidder will be required to submit EEO forms to the Division of Construction Procurement, which will then forward to the Finance and Administration Cabinet for review and approval. No award will become effective until all forms are submitted and EEO/CC has certified compliance. The required EEO forms are as follows:

- EEO-1: Employer Information Report
- Affidavit of Intent to Comply
- Employee Data Sheet
- Subcontractor Report

These forms are available on the Finance and Administration's web page under ***Vendor Information, Standard Attachments and General Terms*** at the following address:
<https://www.eProcurement.ky.gov>.

Bidders currently certified as being in compliance by the Finance and Administration Cabinet may submit a copy of their approval letter in lieu of the referenced EEO forms.

For questions or assistance please contact the Finance and Administration Cabinet by email at **finance.contractcompliance@ky.gov** or by phone at 502-564-2874.

EMPLOYEE RIGHTS UNDER THE FAIR LABOR STANDARDS ACT

THE UNITED STATES DEPARTMENT OF LABOR WAGE AND HOUR DIVISION

FEDERAL MINIMUM WAGE

\$7.25

 PER HOUR

BEGINNING JULY 24, 2009

OVERTIME PAY At least 1½ times your regular rate of pay for all hours worked over 40 in a workweek.

CHILD LABOR An employee must be at least **16** years old to work in most non-farm jobs and at least **18** to work in non-farm jobs declared hazardous by the Secretary of Labor.

Youths **14** and **15** years old may work outside school hours in various non-manufacturing, non-mining, non-hazardous jobs under the following conditions:

No more than

- **3** hours on a school day or **18** hours in a school week;
- **8** hours on a non-school day or **40** hours in a non-school week.

Also, work may not begin before **7 a.m.** or end after **7 p.m.**, except from June 1 through Labor Day, when evening hours are extended to **9 p.m.** Different rules apply in agricultural employment.

TIP CREDIT Employers of “tipped employees” must pay a cash wage of at least \$2.13 per hour if they claim a tip credit against their minimum wage obligation. If an employee’s tips combined with the employer’s cash wage of at least \$2.13 per hour do not equal the minimum hourly wage, the employer must make up the difference. Certain other conditions must also be met.

ENFORCEMENT The Department of Labor may recover back wages either administratively or through court action, for the employees that have been underpaid in violation of the law. Violations may result in civil or criminal action.

Employers may be assessed civil money penalties of up to \$1,100 for each willful or repeated violation of the minimum wage or overtime pay provisions of the law and up to \$11,000 for each employee who is the subject of a violation of the Act’s child labor provisions. In addition, a civil money penalty of up to \$50,000 may be assessed for each child labor violation that causes the death or serious injury of any minor employee, and such assessments may be doubled, up to \$100,000, when the violations are determined to be willful or repeated. The law also prohibits discriminating against or discharging workers who file a complaint or participate in any proceeding under the Act.

ADDITIONAL INFORMATION

- Certain occupations and establishments are exempt from the minimum wage and/or overtime pay provisions.
- Special provisions apply to workers in American Samoa and the Commonwealth of the Northern Mariana Islands.
- Some state laws provide greater employee protections; employers must comply with both.
- The law requires employers to display this poster where employees can readily see it.
- Employees under 20 years of age may be paid \$4.25 per hour during their first 90 consecutive calendar days of employment with an employer.
- Certain full-time students, student learners, apprentices, and workers with disabilities may be paid less than the minimum wage under special certificates issued by the Department of Labor.

For additional information:



1-866-4-USWAGE

(1-866-487-9243)

TTY: 1-877-889-5627



WWW.WAGEHOUR.DOL.GOV

PART IV
INSURANCE

Refer to
Kentucky Standard Specifications for Road and Bridge Construction,
current edition

PART V
BID ITEMS

PROPOSAL BID ITEMS

Report Date 10/23/19

Section: 0001 - BRIDGE

LINE	BID CODE	ALT	DESCRIPTION	QUANTITY	UNIT	UNIT PRIC	FP	AMOUNT
0010	02650		MAINTAIN & CONTROL TRAFFIC APPLIES TO 081B00041N	1.00	LS		\$	
0020	23949EC		BRIDGE CLEANING & PREVENTIVE MAINTENANCE	1.00	LS		\$	
0030	24879EC		STEEL REPAIR LONG REPAIR (REVISED: 10-23-19)	10.00	EACH		\$	
0040	24879EC		STEEL REPAIR SHORT REPAIR (REVISED: 10-23-19)	9.00	EACH		\$	

Section: 0002 - DEMOBILIZATION

LINE	BID CODE	ALT	DESCRIPTION	QUANTITY	UNIT	UNIT PRIC	FP	AMOUNT
0050	02568		MOBILIZATION	1.00	LS		\$	
0060	02569		DEMOBILIZATION	1.00	LS		\$	